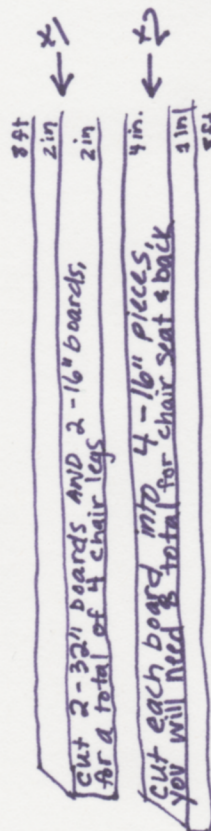
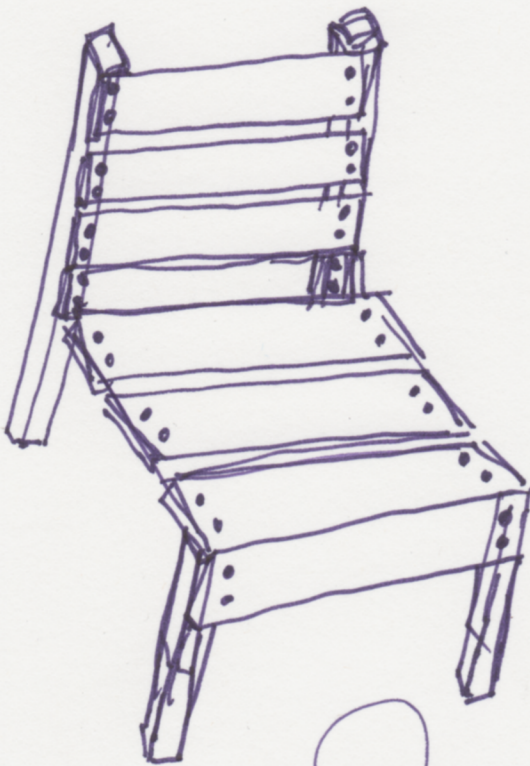


by Ms. Jess @ Lighthouse Creativity Lab.org

Chair BUILDING

HIGH SKILL BUILDER
9-12



TOOLS

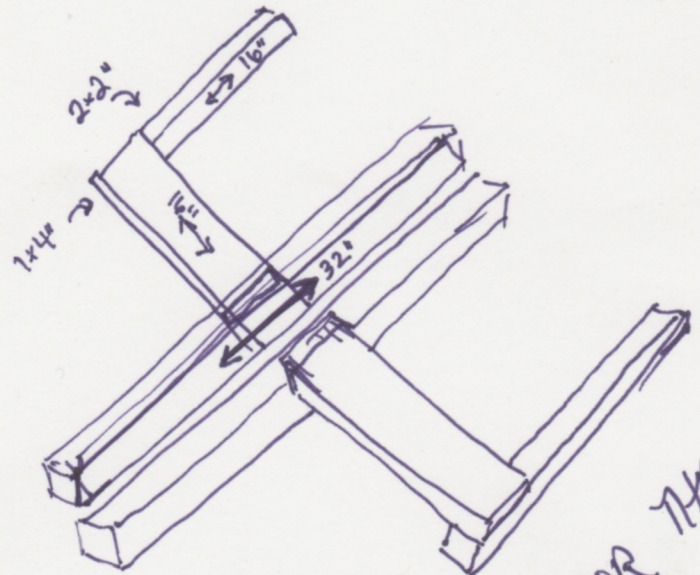
- CIRCULAR SAW
- DRILL W. DRILLBIT FOR 1 5/8" SCREWS
- BATTERIES + CHARGERS FOR TOOLS
- CLAMPS (2/group)
- WOODWORKING BENCH OR PICNIC TABLE
- MEASURING TAPE
- SQUARE
- GDGLES
- SAW HORSE (OPTIONAL)
- APRONS (OPTIONAL)

MATERIALS

- CHAIR DEMO / EXAMPLE
- PENCIL
- DIMENSIONAL LUMBER (PER CHAIR)
 - 1 - 2" x 2" x 8' → 2-16" LEGS
 - 2 - 1" x 4" x 8' → 8-16" SEAT
- SCREWS, 1 5/8" (apx. 50/ chair)
- WOOD GLUE
- POPSICLE STICK OR PAINT BRUSH

What should they know?

- measuring the wood
- marking the wood
- Using a square
- wood glue applicator
- Using a drill + countersinking
- Using a circular saw
- Woodworking safety



Mark wood with a 'V' for more precise cuts

TIP: MIRROR THE BOARDS